

PLEASE CHECK WWW.MOLEX.COM FOR LATEST PART INFORMATION

Part Number: [0395272010](#)
Status: **Active**
Description: 5.00mm (.197") Pitch Eurostyle™ Vertical Plug, with Retention Screws, Rear Wire Entry, 10 Circuits

Documents:

[3D Model](#) [Product Specification PS-39500-001 \(PDF\)](#)
[Drawing \(PDF\)](#) [RoHS Certificate of Compliance \(PDF\)](#)

General

Product Family	Terminal Blocks
Series	39527
Application	Wire-to-Board
Comments	Rear Wire Entry
Component Type	Plug
Product Literature Order No	USA-355
Product Name	ESE, Eurostyle™ Pluggable
Type	Euro Block

Physical

Circuits (Loaded)	10
Entry Angle	Horizontal
Lock to Mating Part	Yes
Number of Rows	1
Orientation	Vertical
Panel Mount	No
Pitch - Mating Interface (in)	0.197 In
Pitch - Mating Interface (mm)	5.00 mm
Polarized to Mating Part	Yes
Stackable	No
Temperature Range - Operating	-40°C to +105°C
Wire Size AWG	12, 14, 16, 18, 20, 22, 24, 26
Wire Size mm²	0.13 - 3.31

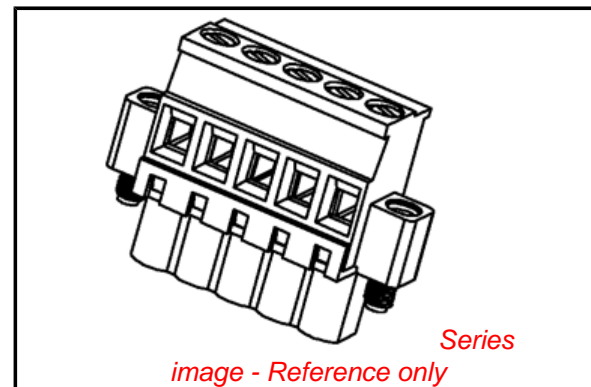
Electrical

Current - Maximum per Contact	10A
Voltage - Maximum	300V

Material Info

Reference - Drawing Numbers

Product Specification	PS-39500-001
Sales Drawing	SD-39527-002



EU RoHS

ELV and RoHS Compliant
REACH SVHC
 Not Reviewed
Halogen-Free Status
 Not Reviewed

China RoHS



Need more information on product environmental compliance?

Email productcompliance@molex.com
 For a multiple part number RoHS Certificate of Compliance, [click here](#)

Please visit the [Contact Us](#) section for any non-product compliance questions.

Search Parts in this Series

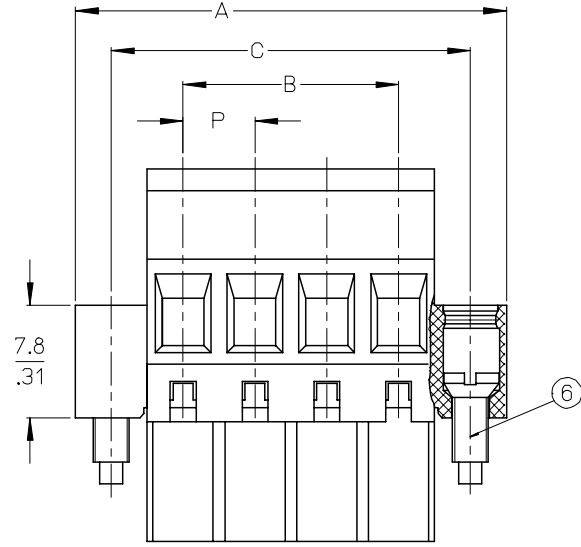
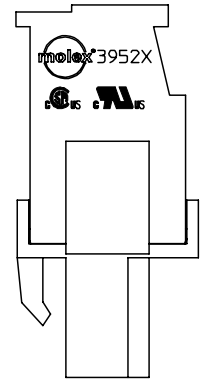
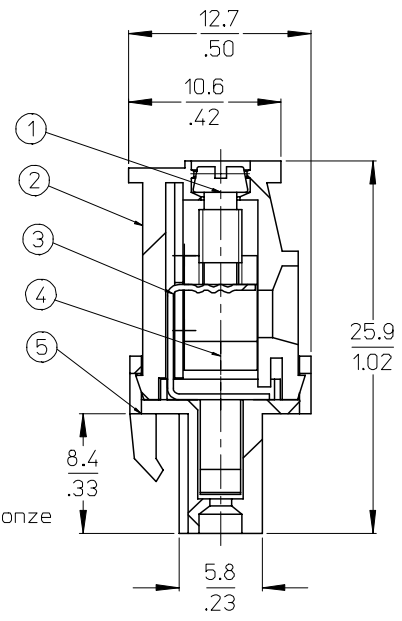
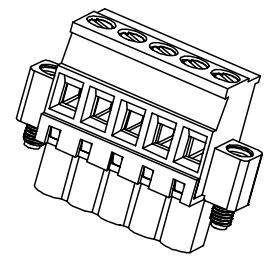
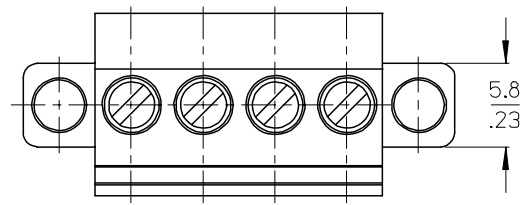
[39527Series](#)

Mates With

Most 5.00mm (.197") Pitch Industry Standard PCB Headers, [39525](#) Vertical PCB Header with Threaded Retention Inserts, [39526](#) Horizontal PCB Header with Threaded Retention Inserts

10 9 8 7 6 5 4 3 2 1

F
E
D
C
B
A



SPECIFICATIONS

1. Material:
 - (1). Screw: Steel
 - (2). Body: PA66
 - (3). Terminal: Phosphor Bronze
 - (4). Cage: Brass
 - (5). Cover: PA66
 - (6). Screw: Steel
2. Wire range: 12 - 26AWG
3. Electrical rating: 300V, 10A.
4. Wire strip length: 5.0mm.
5. Operating temperature: -40°C to +105°C.
6. Max torque: 3 in-lbs.
7. Insulation resistance: DC 500V, 500 Megohms.
8. Dielectric withstand: AC 2500V for 1 minute
9. Breakdown voltage: 4000V
10. Contact resistance: <10 milliohms
11. DIM. A = (N + 2)X P
12. DIM. B = (N - 1)X P
13. DIM. C = (N + 1)X P
14. DIM. P (PITCH) = 5.00mm (.197")
15. N = Number of positions available 2 through 24.
16. ALL COMPONENTS ARE ROHS COMPLIANT.

RELEASE TO PROD ETC NO: ETC2006-0308 DRWN: C YORK 2006/03/16 CHKD: R DEROSS 2006/03/16 APPR: R DEROSS 2006/03/16	QUALITY SYMBOLS ▽=0 ▽=0	GENERAL TOLERANCES (UNLESS SPECIFIED)		DIMENSION STYLE		SCALE	DESIGN UNITS	THIRD ANGLE PROJECTION		
			mm	INCH	MM/IN		3:1	INCH		
		4 PLACES	± ---	±.0015	DRAWN BY	DATE	TITLE			
		3 PLACES	±0.038	±.005	C. YORK	2006/03/16	5.0MM, EURO PLUG, VERTICAL, FRONT WIRE ENTRY WITH MOUNTING ENDS			
2 PLACES	±0.13	±.01	CHECKED BY	DATE						
1 PLACE	±0.3	± ---	R. DEROSS	2006/03/16	MOLEX INCORPORATED					
ANGULAR ± 2 °		APPROVED BY		DATE	MATERIAL NO.		DOCUMENT NO.		SHEET NO.	
DRAFT WHERE APPLICABLE MUST REMAIN WITHIN DIMENSIONS		R. DEROSS		2006/03/16	SEE SHT. 2		SD-39527-002		1 OF 2	
A		B		THIS DRAWING CONTAINS INFORMATION THAT IS PROPRIETARY TO MOLEX INCORPORATED AND SHOULD NOT BE USED WITHOUT WRITTEN PERMISSION						

9 8 7 6 5 4 3 2 1

F

E

D

C

B

A

Description	Circuit size	Material Numbers											Dimensional Information													
		Black						Green					Dim A			Dim B			Dim C							
		100% Tin			30 u' Gold			100% Tin			30 u' Gold		mm		inch		mm		inch							
		Printing Options		None	Printing Options		None	Printing Options		None	Printing Options		None	Printing Options		None	Printing Options		None	Printing Options		None				
5.0mm, Euro Plug, Vertical FWE, Mounting Ends	2	395272002	395272302	395272402	395272502	395272602	395272702	395272802	395272902	395273002	395273102	395273202	395273302	395273402	395273502	395273602	395273702	395273802	395273902	395274002	20.0	0.79	5.0	0.20	15.0	0.59
5.0mm, Euro Plug, Vertical FWE, Mounting Ends	3	395272003	395272303	395272403	395272503	395272603	395272703	395272803	395272903	395273003	395273103	395273203	395273303	395273403	395273503	395273603	395273703	395273803	395273903	395274003	25.0	0.98	10.0	0.39	20.0	0.79
5.0mm, Euro Plug, Vertical FWE, Mounting Ends	4	395272004	395272304	395272404	395272504	395272604	395272704	395272804	395272904	395273004	395273104	395273204	395273304	395273404	395273504	395273604	395273704	395273804	395273904	395274004	30.0	1.18	15.0	0.59	25.0	0.98
5.0mm, Euro Plug, Vertical FWE, Mounting Ends	5	395272005	395272305	395272405	395272505	395272605	395272705	395272805	395272905	395273005	395273105	395273205	395273305	395273405	395273505	395273605	395273705	395273805	395273905	395274005	35.0	1.38	20.0	0.79	30.0	1.18
5.0mm, Euro Plug, Vertical FWE, Mounting Ends	6	395272006	395272306	395272406	395272506	395272606	395272706	395272806	395272906	395273006	395273106	395273206	395273306	395273406	395273506	395273606	395273706	395273806	395273906	395274006	40.0	1.58	25.0	0.98	35.0	1.38
5.0mm, Euro Plug, Vertical FWE, Mounting Ends	7	395272007	395272307	395272407	395272507	395272607	395272707	395272807	395272907	395273007	395273107	395273207	395273307	395273407	395273507	395273607	395273707	395273807	395273907	395274007	45.0	1.77	30.0	1.18	40.0	1.58
5.0mm, Euro Plug, Vertical FWE, Mounting Ends	8	395272008	395272308	395272408	395272508	395272608	395272708	395272808	395272908	395273008	395273108	395273208	395273308	395273408	395273508	395273608	395273708	395273808	395273908	395274008	50.0	1.97	35.0	1.38	45.0	1.77
5.0mm, Euro Plug, Vertical FWE, Mounting Ends	9	395272009	395272309	395272409	395272509	395272609	395272709	395272809	395272909	395273009	395273109	395273209	395273309	395273409	395273509	395273609	395273709	395273809	395273909	395274009	55.0	2.17	40.0	1.58	50.0	1.97
5.0mm, Euro Plug, Vertical FWE, Mounting Ends	10	395272010	395272310	395272410	395272510	395272610	395272710	395272810	395272910	395273010	395273110	395273210	395273310	395273410	395273510	395273610	395273710	395273810	395273910	395274010	60.0	2.36	45.0	1.77	55.0	2.17
5.0mm, Euro Plug, Vertical FWE, Mounting Ends	11	395272011	395272311	395272411	395272511	395272611	395272711	395272811	395272911	395273011	395273111	395273211	395273311	395273411	395273511	395273611	395273711	395273811	395273911	395274011	65.0	2.56	50.0	1.97	60.0	2.36
5.0mm, Euro Plug, Vertical FWE, Mounting Ends	12	395272012	395272312	395272412	395272512	395272612	395272712	395272812	395272912	395273012	395273112	395273212	395273312	395273412	395273512	395273612	395273712	395273812	395273912	395274012	70.0	2.76	55.0	2.17	65.0	2.56
5.0mm, Euro Plug, Vertical FWE, Mounting Ends	13	395272013	395272313	395272413	395272513	395272613	395272713	395272813	395272913	395273013	395273113	395273213	395273313	395273413	395273513	395273613	395273713	395273813	395273913	395274013	75.0	2.95	60.0	2.36	70.0	2.76
5.0mm, Euro Plug, Vertical FWE, Mounting Ends	14	395272014	395272314	395272414	395272514	395272614	395272714	395272814	395272914	395273014	395273114	395273214	395273314	395273414	395273514	395273614	395273714	395273814	395273914	395274014	80.0	3.15	65.0	2.56	75.0	2.95
5.0mm, Euro Plug, Vertical FWE, Mounting Ends	15	395272015	395272315	395272415	395272515	395272615	395272715	395272815	395272915	395273015	395273115	395273215	395273315	395273415	395273515	395273615	395273715	395273815	395273915	395274015	85.0	3.35	70.0	2.76	80.0	3.15
5.0mm, Euro Plug, Vertical FWE, Mounting Ends	16	395272016	395272316	395272416	395272516	395272616	395272716	395272816	395272916	395273016	395273116	395273216	395273316	395273416	395273516	395273616	395273716	395273816	395273916	395274016	90.0	3.54	75.0	2.95	85.0	3.35
5.0mm, Euro Plug, Vertical FWE, Mounting Ends	17	395272017	395272317	395272417	395272517	395272617	395272717	395272817	395272917	395273017	395273117	395273217	395273317	395273417	395273517	395273617	395273717	395273817	395273917	395274017	95.0	3.74	80.0	3.15	90.0	3.54
5.0mm, Euro Plug, Vertical FWE, Mounting Ends	18	395272018	395272318	395272418	395272518	395272618	395272718	395272818	395272918	395273018	395273118	395273218	395273318	395273418	395273518	395273618	395273718	395273818	395273918	395274018	100.0	3.94	85.0	3.35	95.0	3.74
5.0mm, Euro Plug, Vertical FWE, Mounting Ends	19	395272019	395272319	395272419	395272519	395272619	395272719	395272819	395272919	395273019	395273119	395273219	395273319	395273419	395273519	395273619	395273719	395273819	395273919	395274019	105.0	4.13	90.0	3.54	100.0	3.94
5.0mm, Euro Plug, Vertical FWE, Mounting Ends	20	395272020	395272320	395272420	395272520	395272620	395272720	395272820	395272920	395273020	395273120	395273220	395273320	395273420	395273520	395273620	395273720	395273820	395273920	395274020	110.0	4.33	95.0	3.74	105.0	4.13
5.0mm, Euro Plug, Vertical FWE, Mounting Ends	21	395272021	395272321	395272421	395272521	395272621	395272721	395272821	395272921	395273021	395273121	395273221	395273321	395273421	395273521	395273621	395273721	395273821	395273921	395274021	115.0	4.53	100.0	3.94	110.0	4.33
5.0mm, Euro Plug, Vertical FWE, Mounting Ends	22	395272022	395272322	395272422	395272522	395272622	395272722	395272822	395272922	395273022	395273122	395273222	395273322	395273422	395273522	395273622	395273722	395273822	395273922	395274022	120.0	4.72	105.0	4.13	115.0	4.53
5.0mm, Euro Plug, Vertical FWE, Mounting Ends	23	395272023	395272323	395272423	395272523	395272623	395272723	395272823	395272923	395273023	395273123	395273223	395273323	395273423	395273523	395273623	395273723	395273823	395273923	395274023	125.0	4.92	110.0	4.33	120.0	4.72
5.0mm, Euro Plug, Vertical FWE, Mounting Ends	24	395272024	395272324	395272424	395272524	395272624	395272724	395272824	395272924	395273024	395273124	395273224	395273324	395273424	395273524	395273624	395273724	395273824	395273924	395274024	130.0	5.12	115.0	4.53	125.0	4.92

SEE SHEET 1 EC NO: ETC2006-0308 DRWNG: YORK 2006/03/12 CHKD: DEROSS 2006/03/14 APPR: DEROSS 2006/03/14	QUALITY SYMBOLS ▽=0 ▽=0	GENERAL TOLERANCES (UNLESS SPECIFIED)		DIMENSION STYLE MM/IN		SCALE 3:1	DESIGN UNITS INCH	THIRD ANGLE PROJECTION
		4 PLACES ± --- ±.0015	3 PLACES ±0.038 ±.005	DRAWN BY C. YORK	DATE 2006/03/16	TITLE 5.0MM, EURO PLUG, VERTICAL, FRONT WIRE ENTRY WITH MOUNTING ENDS		
		2 PLACES ±0.13 ±.01	1 PLACE ±0.3 ± ---	CHECKED BY R. DEROSS	DATE 2006/03/16	MOLEX MOLEX INCORPORATED		
		ANGULAR ± 2 °		APPROVED BY R. DEROSS	DATE 2006/03/16	MATERIAL NO. SEE CHART	DOCUMENT NO. SD-39527-002	
DRAFT WHERE APPLICABLE MUST REMAIN WITHIN DIMENSIONS				SIZE B	THIS DRAWING CONTAINS INFORMATION THAT IS PROPRIETARY TO MOLEX INCORPORATED AND SHOULD NOT BE USED WITHOUT WRITTEN PERMISSION			